

Panel Install Instructions EZ Install System - As simple as 1...

Installing the Corner Reveals

Note: The images provided may not look like your panel layout, but this representation will show you the overall process and procedures. All layouts follow the same procedures.

- Apply the provided silicone adhesive to the area on the back side of the corner reveals marked for adhesive.
- Peel the paper from the double-sided tape.
- Attach the corner reveals to the cab wall using the pre-applied double-sided tape.
- Press firmly on the reveal to ensure the tape adheres to the wall.
- Attach the base and frieze pieces in a similar fashion if they are separate from the template.

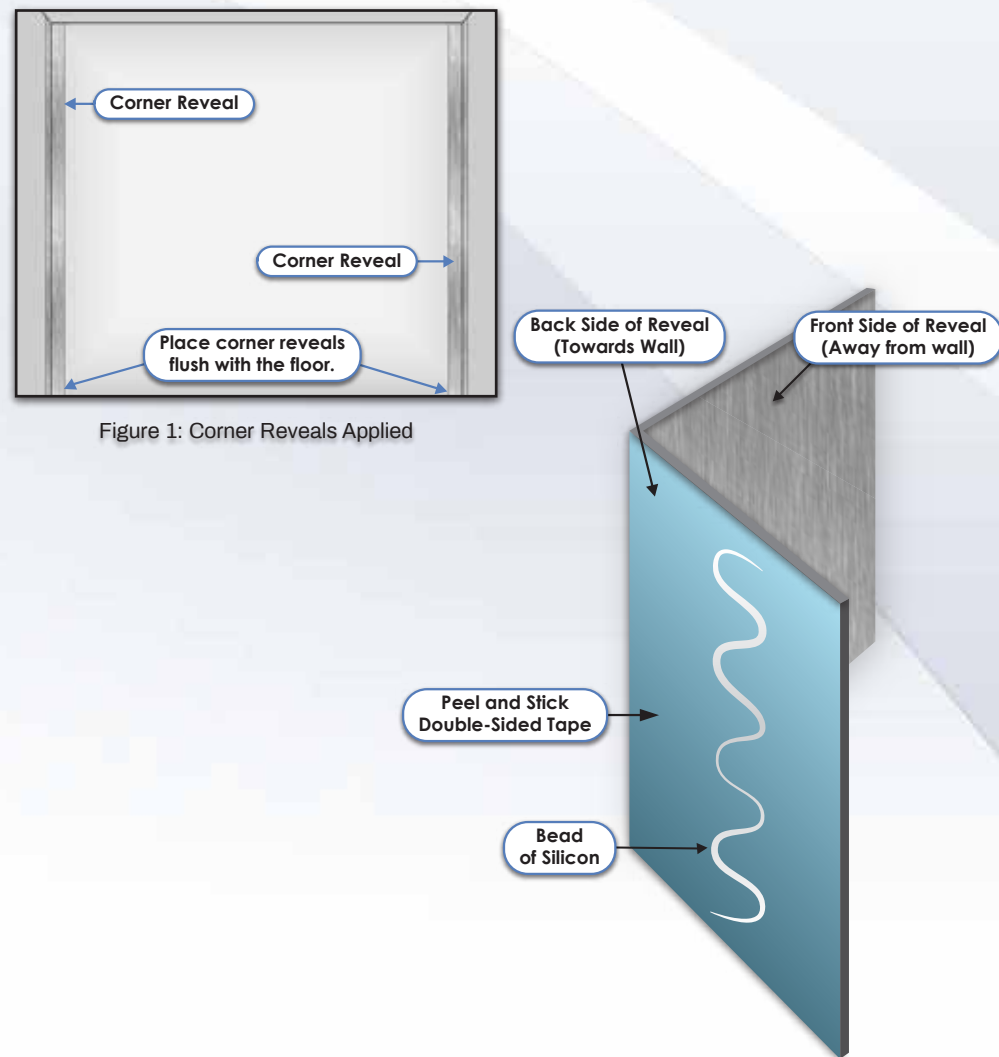


Figure 2: 90° L-Shaped Corner Reveal

2..

Installing the Template

- Place the lower template on the floor against the wall of the cab.

Note: For installations with a vented base separate from the template; placement blocks have been provided. Place the blocks on the floor and set the template on top of the blocks.

- Center the template on the wall. Measure the reveal gap in each corner to ensure equal spacing on both sides. Place a level on the template to ensure that the template is level before securing it to the wall.
- Put a screw in every Z-clip hole to secure the template to the cab wall. (Pre-drilling each hole will make this step easier.)
- Once the lower template has been secured, align the upper template to the top edge of the lower template. Secure the upper template to the wall by placing a screw in each of the Z-clip holes.
- As templates are applied to each wall, make sure that each template is level and follows the same plane to ensure that all wall panels align correctly.
- Use the pre-applied double-sided tape to attach the reveal strips. Follow the guidelines on the template to ensure you properly place the reveal strip.

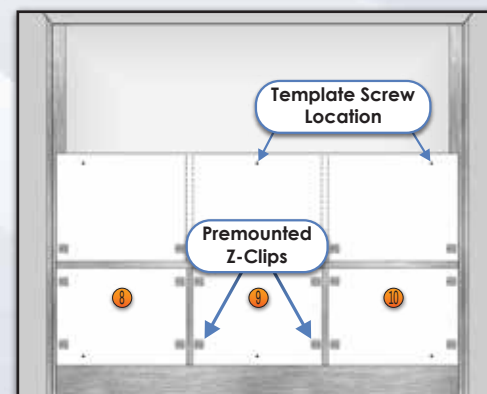


Figure 3: Lower Template Mounted

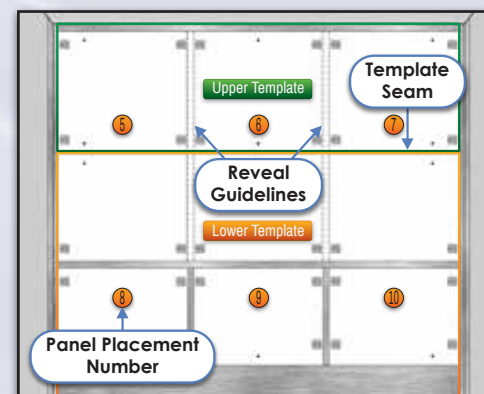


Figure 4: Upper Template Mounted

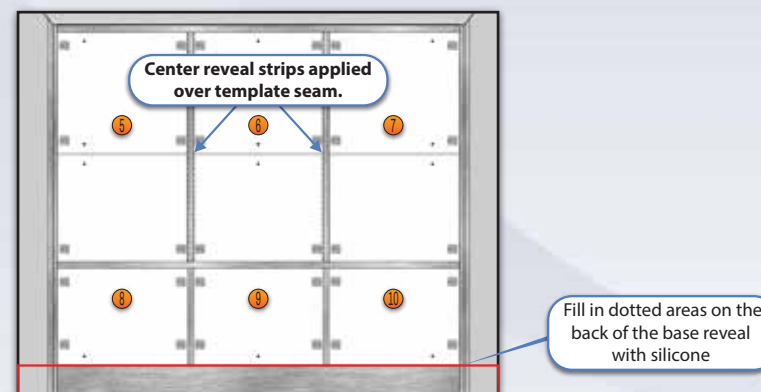


Figure 5: Center Reveal Strips Installed

3.

Hang Panels

- Apply a dime sized bead of silicone to a few of the wall mounted Z-clips. (2 clips per panel is sufficient)
- Match the number on the back of each panel to the corresponding number on the template.
- Place one panel against the wall an inch or two above where it will align with the template.
- Slide the panel down until the Z-clips fully interlock.
- Repeat for each panel.

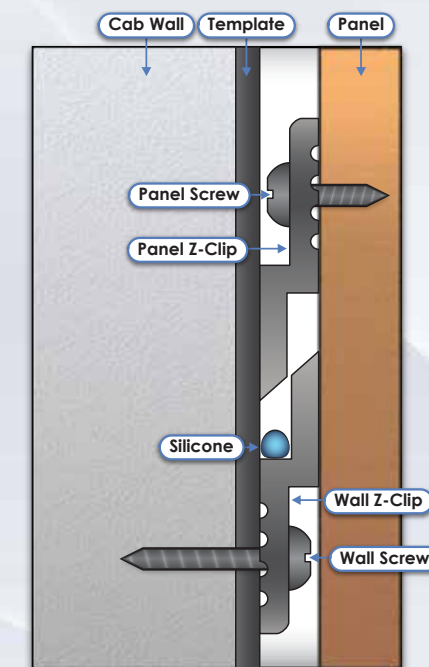


Figure 6: Z-Clip Installation

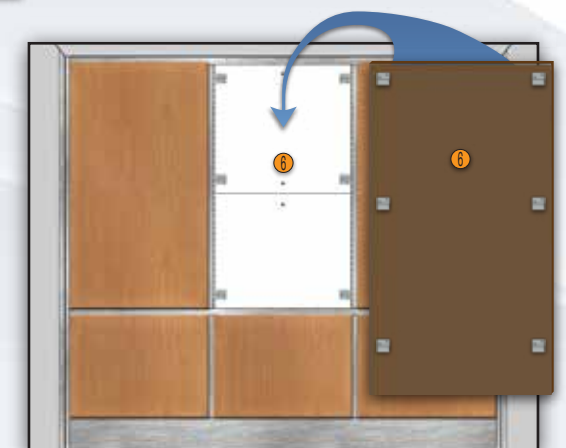


Figure 7: Panels Installed

Handrail Install Instructions

Removable Handrail

Installing Toggle Bolts

- Drill a 1/2" hole in the center of where the handrail standoff is to be located.
- Close the Toggle Bolt so that the metal channel is flat against the plastic strap.
- Slide the metal channel through the hole; then open the Toggle Bolt and pull back until the channel rests against the outside of the cab wall.
- Slide the Zip Ring tight against the wall.
- Cut the plastic straps off flush with the end of the Zip Ring.
- Repeat for each standoff location.

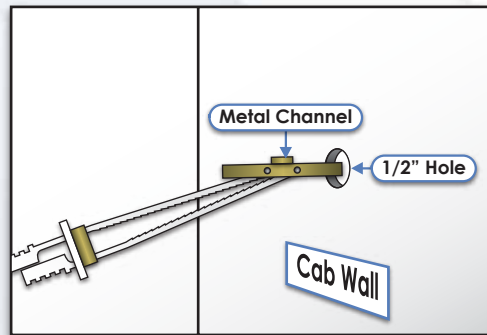


Figure 1: Insert Toggle Bolt

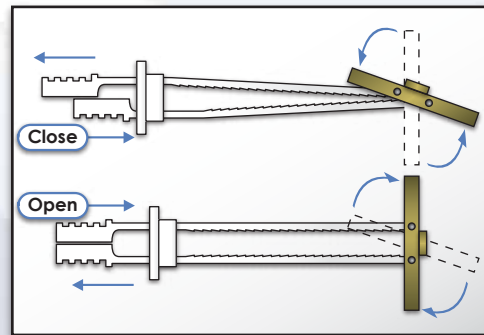


Figure 2: Toggle Bolt Operation

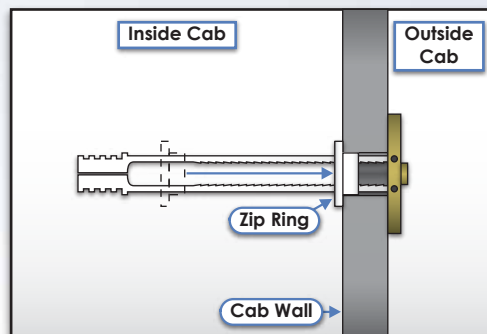


Figure 3: Synch Toggle Bolt

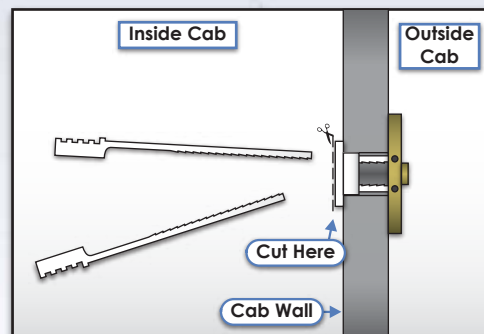


Figure 4: Cut Zip Strips

Mount Standoffs and Handrails

- Place the standoff over the mounted Toggle Bolt.
- Insert bolt and tighten until the standoff is held tight against the cab wall.
- After all standoffs have been mounted, place the handrail against the standoffs so that each mounting peg slides into the corresponding standoff.
- Insert a set screw into each standoff and tighten until snug.

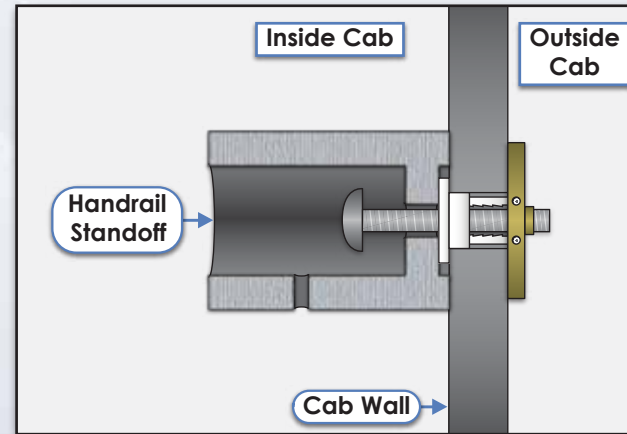


Figure 5: Install Standoffs

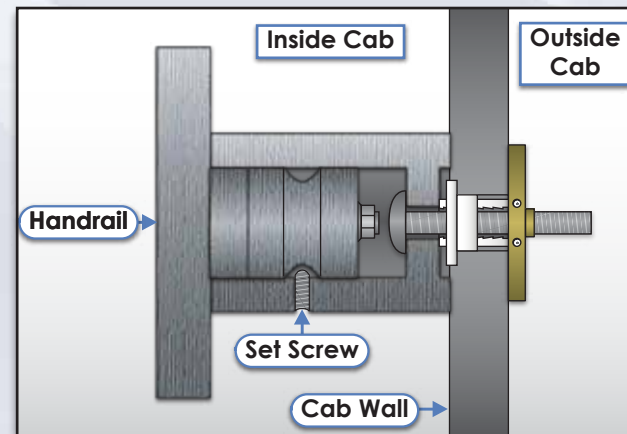


Figure 6: Mount Handrail