

Ceiling Install Instructions

Island Downlight Ceiling

Hang Ceiling

- Apply ceiling template to cab canopy using the screws provided.
- Pre-drill 5/16" holes at recommended locations.
- Remove template.
- Turn the two end hangers parallel to the ceiling. (Figure 3)
- Position ceiling straight up and down. (Figure 3)
- Lift the ceiling up, pushing the rods and toggle bolts through the holes drilled in ceiling.
- Swing ceiling up and install hangers in recommended locations
- Once the ceiling is positioned and hanging, replace the toggle bolts with washers and lock nuts.

Note: Remember to draw nut and washer on the underside of the canopy tight to the canopy, as well as those on the topside of the canopy. This will lock the ceiling in place and prevent it from moving up and down when pressure is applied. (Someone will need to assist holding the ceiling when switching out the toggle bolts with washers and lock nuts.)

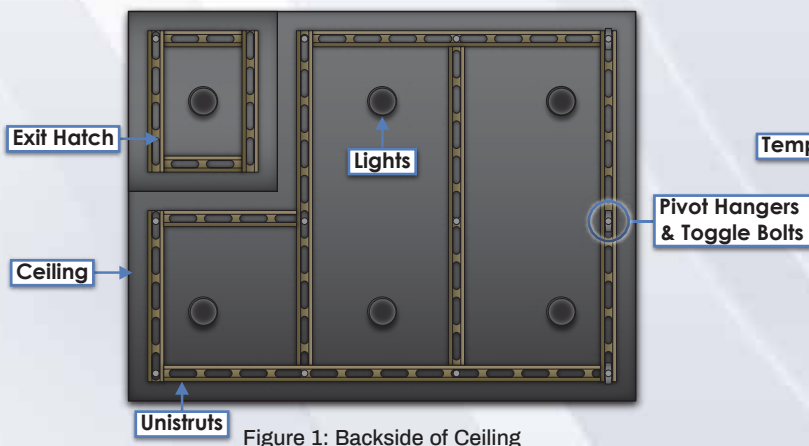


Figure 1: Backside of Ceiling

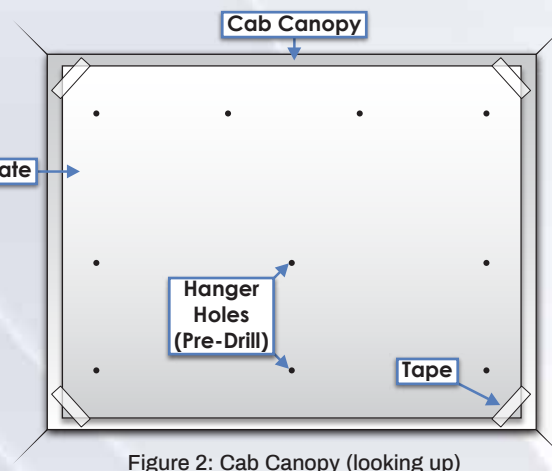


Figure 2: Cab Canopy (looking up)

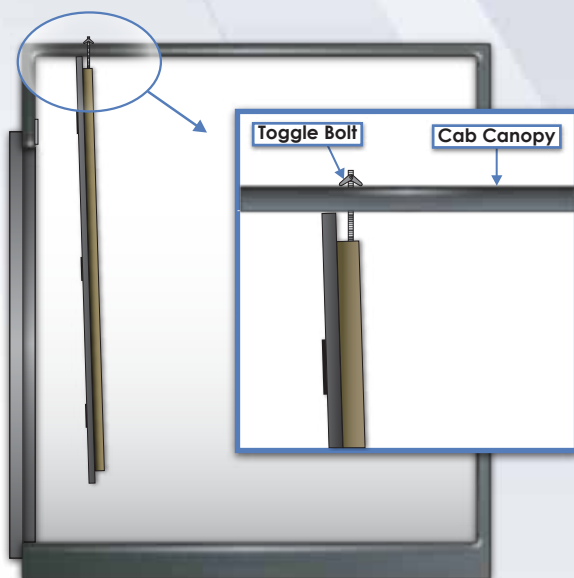


Figure 3: Lower Template Mounted



Figure 4: Ceiling Mounted

Ceiling Install Instructions

T-Frame Ceiling

Hang Ceiling

- Apply ceiling template to cab canopy using the screws provided - or tape.
- Pre-drill 1/4" holes at designated locations.
- Remove ceiling template.
- Turn the two end hangers parallel to the ceiling. (Figure 3)
- Position ceiling straight up and down. (Figure 3)
- Lift the ceiling up, pushing the rods and toggles through the holes drilled in ceiling.
- Swing ceiling up and push the other rods through the canopy.
- Once the ceiling is positioned and hanging, replace the toggle bolts with washers and lock nuts.

Note: Remember to draw nut and washer on the underside of the canopy tight to the canopy, as well as those on the topside of the canopy. This will lock the ceiling in place and prevent it from moving up and down when pressure is applied. (Someone will need to assist holding the ceiling when switching out the toggle bolts with washers and lock nuts.)

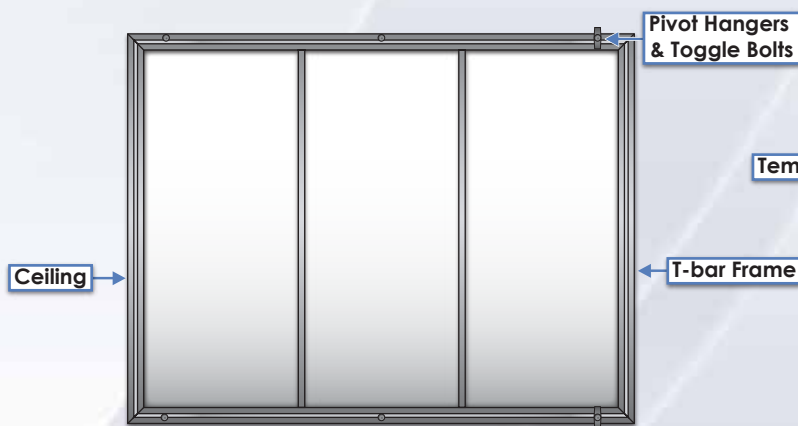


Figure 1: Backside of Ceiling

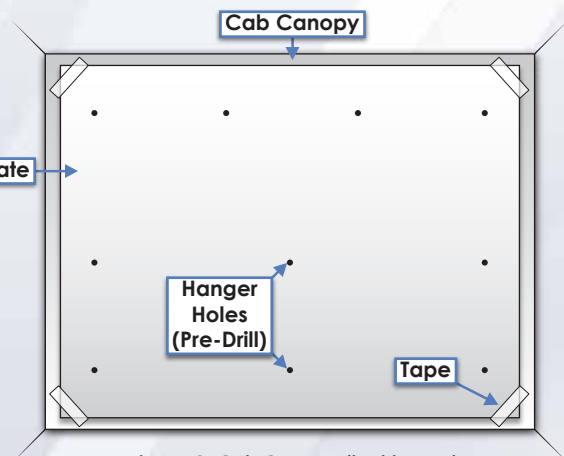


Figure 2: Cab Canopy (looking up)

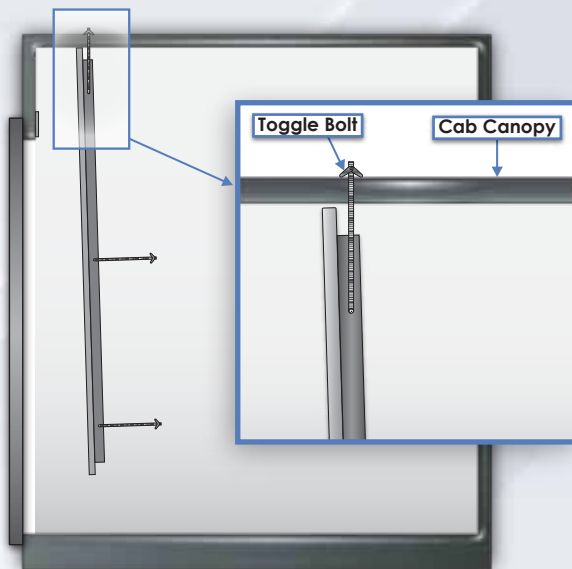


Figure 3: Lower Template Mounted



Figure 4: Ceiling Mounted